



**SMD External-driven Piezo Transducer**

**SFM-1820**



**FEATURES:**

- Super Miniature
- Super Thin
- Low Current

**APPLICATIONS:**

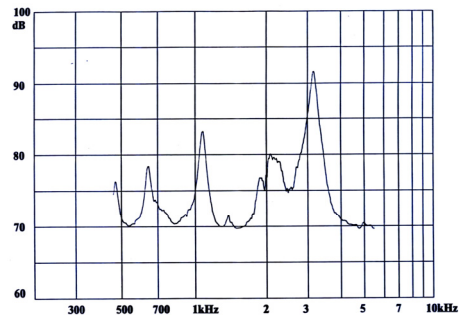
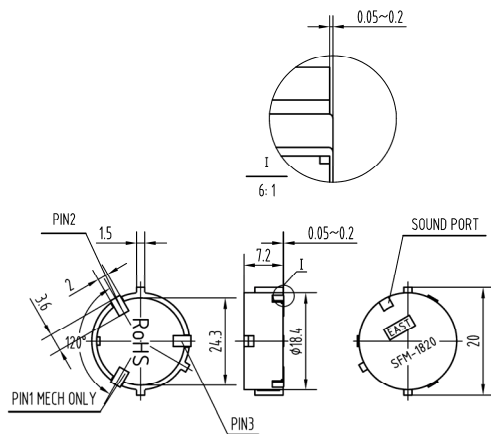
- Miniature Electronic Device

Rev.2

**DIMENSIONS: (Unit: mm)**

**SFM-TERMINAL  
VERSION**

**RECOMMENDED  
SMD FOOT PATTERN**



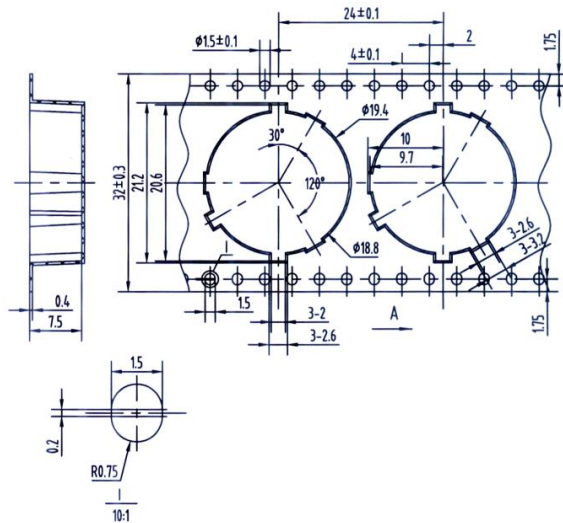
**ELECTRICAL SPECIFICATIONS:**

<b>Min. Sound Pressure Level at</b>	
2.0kHz/3.6Vp-p Square Wave/10cm.....	72-82dB(A)
Capacitance at 1000Hz.....	20nF±30%
Allowable Input Voltage.....	25Vp-p
<b>Max. Consumption</b>	
at 2.0kHz/3.6Vp-p Square Wave.....	8mA
Resonant Frequency.....	2.0±0.5kHz
Operating Temperature.....	-20~+70°C
Weigh.....	1.7g
Case Material /Color.....	PPS/Black

**PACKING INFORMATION:**

**TAPE TYPE INFORMATION:**

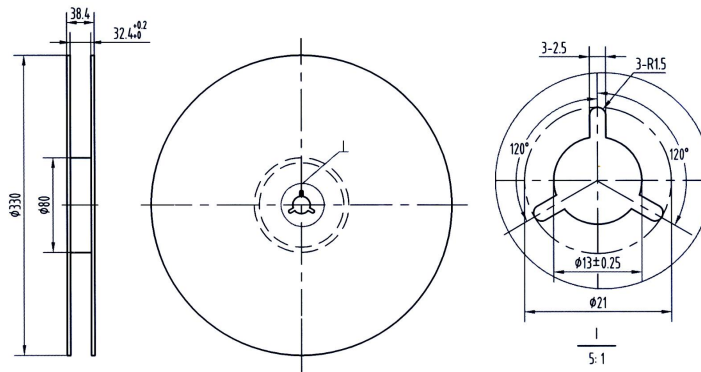
The design for such tape packing was executed under standard IEC -286-3  
The material of the tape is polystyrene in black color. Detailed dimensions are as below:



***DIMENSIONS OF THE ROLLING PLATE:***

*The material of the rolling plate is in paper;*

*The dimensions of the rolling plate are as below:*



***PACKING DIMENSIONS AND QUANTITY:***

- The rolling plate is put into a 340X340X45mm inner packing box and is packed with 350 pcs of the transducer per plate.*
- The dimension of the outer carton is 460X 350X350mm containing 10 inner boxes with a total quantity of 3500 pcs of the transducer.*
- The total gross weight per carton is 11.4Kgs, while net weight is 6.0Kgs.*

*Address: Multitrack GmbH, Pfaffenrain 22, 35606 Solms, Germany*

*Tel: +49-6442-9220950, Fax: +49-3212-1258768*

