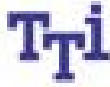




# Relays & Solenoids

## TTI\_PCB Relays

Detailed product specifications are available on: [us.100y.com.tw](http://us.100y.com.tw)



### PERFORMANCE (at initial value)

| Item                    | Type                   | TRQ                                       |
|-------------------------|------------------------|---|
| Contact Resistance      |                        | 50mΩ Max.at initial                       |
| Operation Time          |                        | Approx. 5msec                             |
| Release Time            |                        | Approx. 5msec                             |
| Dielectric Strength     | Between coil & contact | 1000VAC (1 minute)                        |
|                         | Between contacts       | 1000VAC (1 minute)                        |
|                         | Between contacts poles | 1000VAC (1 minute)                        |
| Surge withstand voltage | Between coil & contact | 1500V                                     |
|                         | Between contacts       | 1500V                                     |
|                         | Between contacts poles | 2500V                                     |
| Shock resistance        | Endurance              | 500m/s <sup>2</sup> 11ms                  |
|                         | Error Operation        | 1000m/s <sup>2</sup> 6ms                  |
| Vibration               | Functional             | 3mm D. A. 10 to 55Hz                      |
|                         | Destructive            | 5mm D. A. 10 to 55Hz                      |
| Terminals resistance    |                        | 5N  |
| Solderability           |                        | 235°C ±2°C, 3±0.5s                        |
| Temperature range       |                        | -40~70°C (-40~158°F)                      |
| Insulation resistance   |                        | 1000MΩ Min. (500VDC)                      |
| Life expectancy         | Mechanically           | 1x10 <sup>8</sup> ops. Min. (no load)     |
|                         | Mechanically           | 2x10 <sup>8</sup> ops. Min. (1A/30VDC)    |
|                         | Electrically           | 1x10 <sup>8</sup> ops. Min. (0.5A/125VDC) |
| Weight                  |                        | 1.5grs.                                   |

### CONTACT RATING

| Item                            | Type | TRQ                       |
|---------------------------------|------|---------------------------|
| Contact Capacity                |      | 1A/30VDC                  |
| Resistance load (cosΦ=1)        |      | 0.5A/125VAC               |
| Rated carrying current          |      | 1A                        |
| Max. switching voltage          |      | 220VDC, 250VAC            |
| Max. switching current          |      | 1A                        |
| Max. switching power force      |      | 30W, 62.5VA               |
| Referenced Min. applicable Load |      | 10mA resistive at 10m VDC |
| Contact Material                |      | AgPd+Au Clad              |

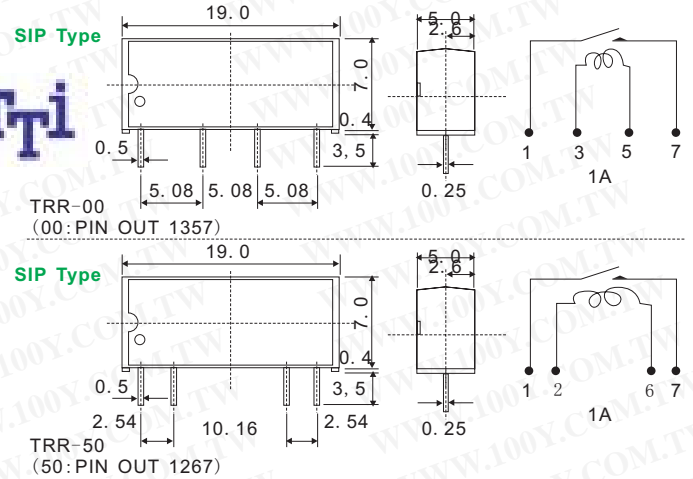
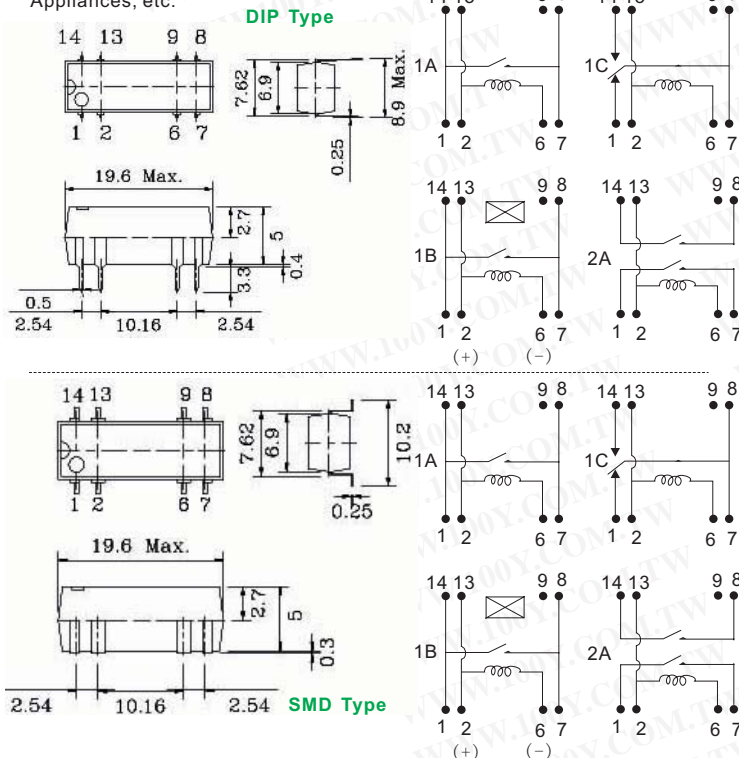
| Part No. | Product No. | Manufacturer | Description | Outline L*W*H  | Contact Arrangement | Contact Rating   | Coil Voltage | Recognized Safety | Type  |
|----------|-------------|--------------|-------------|----------------|---------------------|------------------|--------------|-------------------|-------|
| 23069    | TRQ2-5D     | TTI          | TTI Relay   | 14.2*9.3*5.3mm | 2 From C            | 1A 125VAC/30V DC | 5VDC         | CUL               | TRQ2  |
| 23073    | TRQ2S-12D   | TTI          | TTI Relay   | 14.2*9.3*5.3mm | 2 From C            | 1A 125VAC/30V DC | 12VDC        | CUL               | TRQ2S |
| 23074    | TRQ2S-5D    | TTI          | TTI Relay   | 14.2*9.3*5.3mm | 2 From C            | 1A 125VAC/30VDC  | 5VDC         | CUL               | TRQ2S |

### MAIN FEATURES

- Miniature, cost-effective switching solution.
- State of the art capsule designs.
- Molded construction for compatibility with automatic board processing.
- Epoxy-molded dual-in-line package.
- Completely washable.

### APPLICATIONS

- Measuring equipment, Communication equipment, Control equipment, Appliances, etc.



### PERFORMANCE

|  | 1A/1B/2A                       | 1C                           |
|--|--------------------------------|------------------------------|
| Contact form                           |                                |                              |
| Switching Current                      | 0.5ADC Max.                    | 0.2ADC Max.                  |
| Carry Current                          | 1.0ADC Max.                    | 0.5ADC Max.                  |
| Switching Power                        | 10VA Max.                      | 3VA Max.                     |
| Electrical Life                        | 1x10 <sup>8</sup> (10VDC 10mA) | 5x10 <sup>7</sup> (5VDC 1mA) |
| Contact Resistance                     | 150mΩ Max.                     |                              |
| Operation Time (including bounce time) | 1.0msec. Max.                  |                              |
| Release Time (including bounce time)   | 1.0msec. Max.                  |                              |
| Maximum Voltage                        | 100VDC Max.                    | 30VAC/DC Max.                |
| Insulation Resistance                  | 10 <sup>10</sup> Min.          | 10 <sup>9</sup> Min.         |
| Dielectric Strength                    | Between coil & contact         | 1400VDC                      |
|  | Between contacts               | 250VDC                       |
| Temperature Range                      | Operating Temp.                | -40 to +85°C                 |
|  | Storage Temp.                  | -55 to +125°C                |
| Shock Resistance                       | 30G Min.                       |                              |

| Part No. | Product No. | Manufacturer | Description              | Outline L*W*H   | Contact Arrangement | Contact Rating | Coil Voltage | Recognized Safety | Type |
|----------|-------------|--------------|--------------------------|-----------------|---------------------|----------------|--------------|-------------------|------|
| 23075    | TRR1A05D00  | TTI          | TTI Reed Relay           | 19.6*7.62*5.2mm | 1A                  | DC10W, AC10VA  | 5VDC         | CUL               | TRR  |
| 23076    | TRR1A05S00D | TTI          | TTI Reed Relay-S MD Type | 19.6*7.62*5.2mm | 1A                  | DC10W, AC10VA  | 5VDC         | CUL               | TRR  |
| 23077    | TRR1A12D00  | TTI          | TTI Reed Relay           | 19.6*7.62*5.2mm | 1A                  | DC10W, AC10VA  | 12VDC        | CUL               | TRR  |



T E L : Taiwan : 886-3-5753170  
 F A X : Taiwan : 886-3-5753172  
 E-mail : Taiwan : [us\\_sale@100y.com.tw](mailto:us_sale@100y.com.tw)

Shenzhen : 86-755-83298787  
 Shenzhen : 86-755-83640655  
 Shenzhen : 100y@163.com

Shanghai : 86-21-54151736  
 Shanghai : 86-21-64605107  
 Shanghai : 100y-1@163.com